

WATER DISPENSER

USER MANUAL

Model: D113

V900BS

V900CS

V127S

V127 red

V230C

V802CE

V802CES

V118

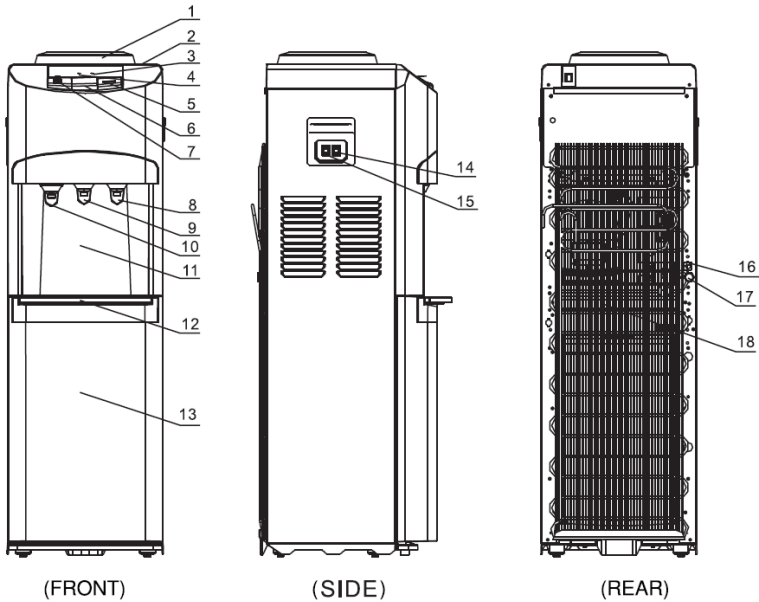
V195B

+HotFrost+
We Sell Climate



Please read the manual carefully before operating your water dispenser. Retain it for future reference.

A: PART NAME

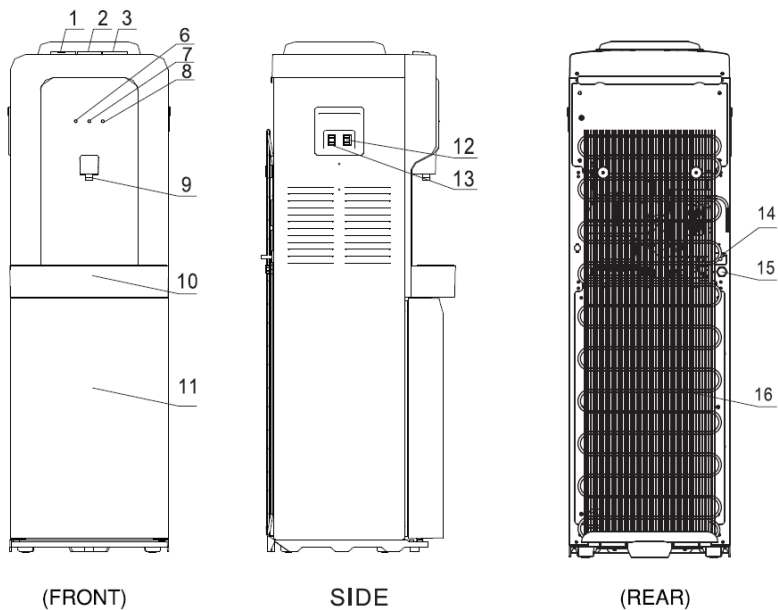


V127S/V127 red

No.	PART NAME	No.	PART NAME
1	bottle supporter	10	button of hot water
2	top cover	11	front carapace
3	cooling pilot lamp	12	water collector
4	heating pilot lamp	13	door
5	push button of cold water	14	heating switch
6	push button of normal water	15	cooling switch
7	push button of hot water	16	power supply cord
8	button of cold water	17	outlet of hot water
9	button of normal water	18	condenser

NOTE:

This machine is suitable for bottle of 3 or 5 gallons. Don't use unhealthy hard water.

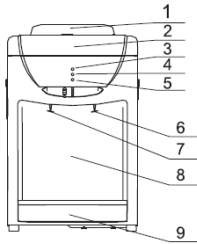


V900BS/V900CS

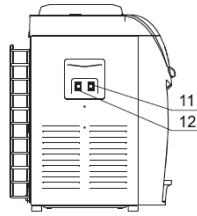
No.	PART NAME	No.	PART NAME
1	button of hot water	9	spout
2	button of normal water	10	water collector
3	button of cold water	11	door
4	bottle supporter	12	heating switch
5	top cover	13	cooling switch
6	cooling pilot lamp	14	power supply cord
7	heating pilot lamp	15	outlet of hot water
8	power pilot lamp	16	condenser

NOTE:

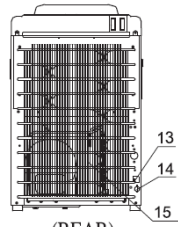
This machine is suitable for bottle of 3 or 5 gallons. Don't use unhealthy hard water.



(FRONT)

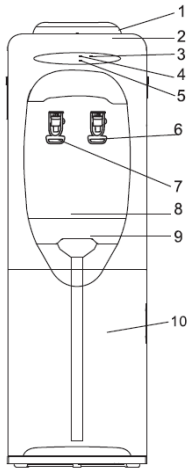


(SIZE)

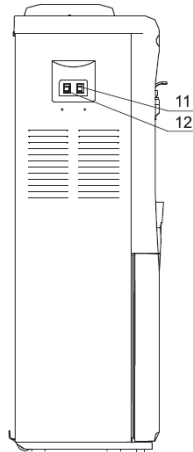


(REAR)

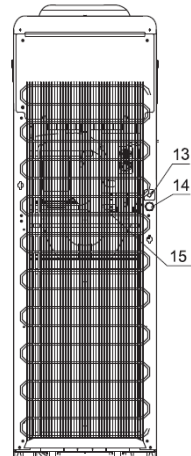
D113



(FRONT)



(SIZE)



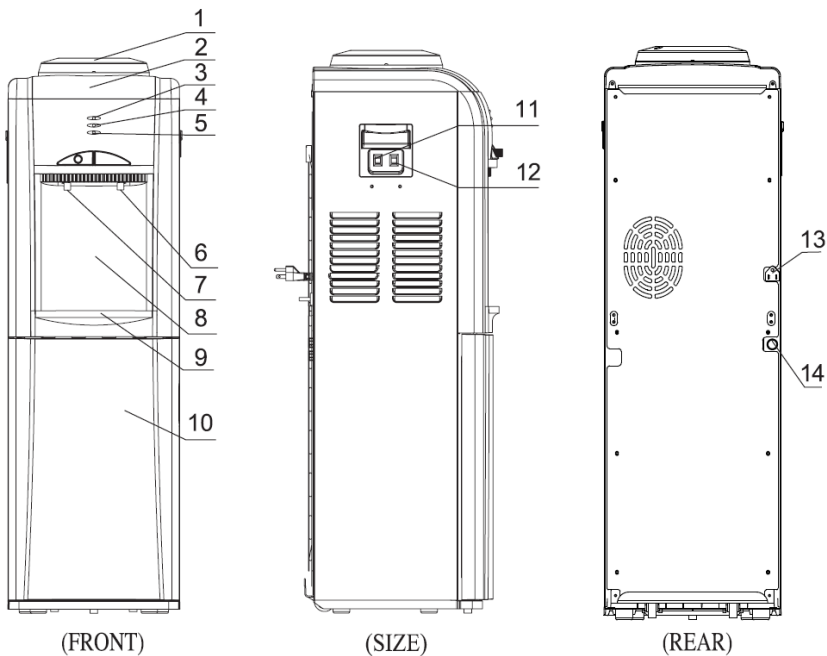
(REAR)

V230C

NO.	PART NAME	NO.	PART NAME
1	bottle supporter	9	water collector
2	top cover	10	door
3	power pilot lamp	11	heating switch
4	heating pilot lamp	12	refrigerating switch
5	cooling pilot lamp	13	power supply cord
6	tap of cold water	14	outlet of hot water
7	tap of hot water	15	condenser
8	front carapace		

NOTE:

This machine is suitable for bottle of 3 or 5 gallons. Don't use unhealthy hard water.

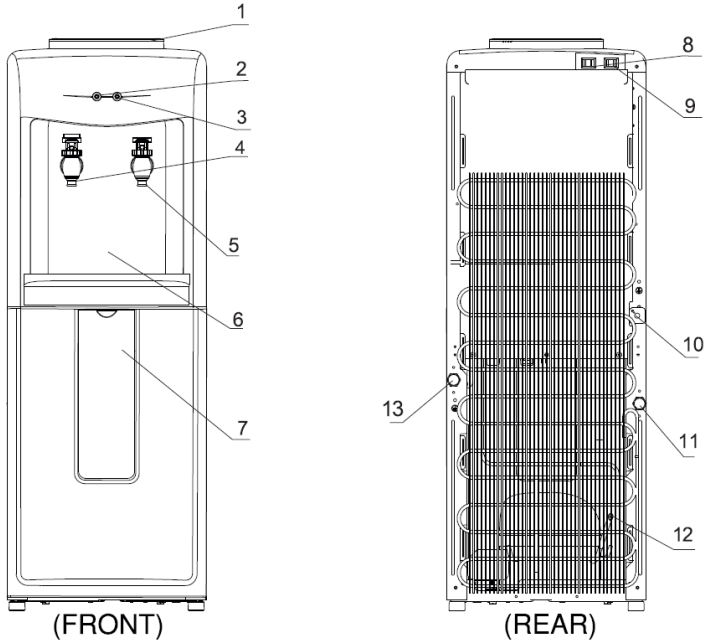


V802CE/V802CES

NO.	PART NAME	NO.	PART NAME
1	bottle supporter	8	front carapace
2	top cover	9	water collector
3	power pilot lamp	10	door
4	heating pilot lamp	11	cooling switch
5	cooling pilot lamp	12	heating switch
6	tap of normal water	13	power cord
7	tap of hot water	14	outlet of hot water

NOTE:

This machine is suitable for bottle of 3 or 5 gallons. Don't use unhealthy hard water.

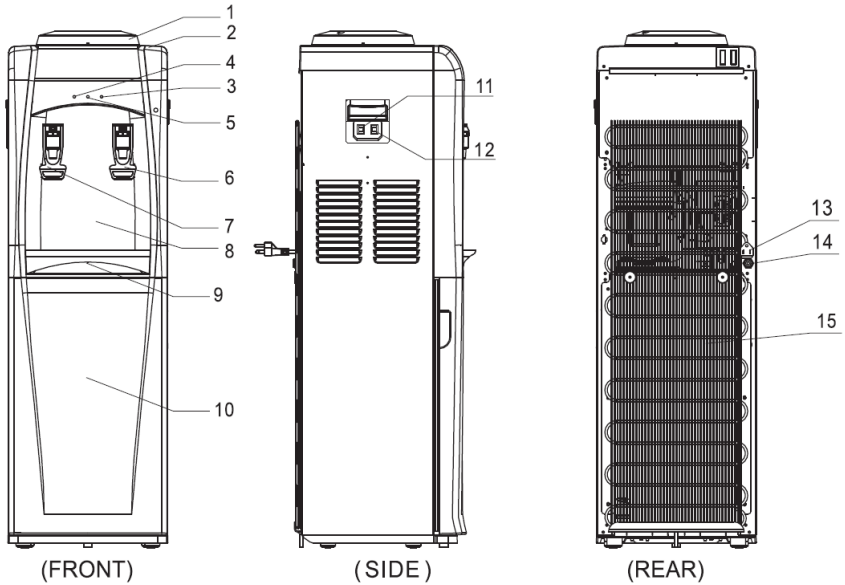


V118

NO.	PART NAME	NO.	PART NAME
1	bottle supporter	8	cooling switch
2	heating pilot lamp	9	heating switch
3	cooling pilot lamp	10	power cord
4	tap of hot water	11	outlet of hot water
5	tap of cold water	12	condenser
6	front carapace	13	outlet of cold water
7	cups box		

NOTE:

This machine is suitable for bottle of 3 or 5 gallons. Don't use unhealthy hard water.



V195B

NO.	PART NAME	NO.	PART NAME
1	bottle supporter	9	water collector
2	cover	10	door
3	power pilot lamp	11	cooling switch
4	heating pilot lamp	12	heating switch
5	cooling pilot lamp	13	power supply cord
6	tap of cold water	14	outlet of hot water
7	tap of hot water	15	condenser
8	front carapace		

NOTE:

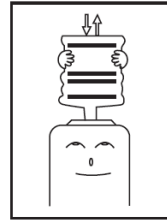
This machine is suitable for bottle of 3 or 5 gallons. Don't use unhealthy hard water.

B: FUNCTION INTRODUCTION

1. The dispenser can satisfy the need of tea & coffee and making cool drinking. It must be used indoor only.
2. With adoption of distinctive thermal isolation technology, this machine can minimize thermal exchange between hot & cold water.
3. Warning: Do not damage the refrigerant circuit.
4. This appliance can be used by children aged from 8 years and above if they have been given supervision or instruction concerning use of the appliance in a safe way and if they understand the hazards involved. Cleaning and user maintenance shall not be made by children unless they are older than 8 and supervised. Keep the appliance and its cord out of reach of children aged less than 8 years.
5. Appliances can be used by persons with reduced physical, sensory or mental capabilities or lack of experience and knowledge if they have been given supervision or instruction concerning use of the appliance in a safe way and understand the hazards involved. Children shall not play with the appliance.
6. This appliance is intended to be used in household and similar applications such as: Staff kitchen areas in shops, offices and other working environments. Farm houses and by clients in hotels, motels and other residential type environments. Bed and breakfast type environments. Catering and similar non-retail applications.
7. Do not store explosive substances such as aerosol cans with a flammable propellant in this appliance.
8. **WARNING!** To avoid a hazard due to instability of the appliance, it must be fixed in accordance with the instructions.

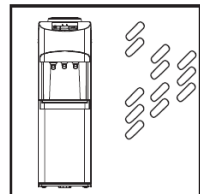
C: OPERATION INSTRUCTION

1. Tear the label from the bottle.
2. Vertically insert the bottle into the bottle supporter on top of the machine. Don't plug the power cord or push the red switch until water runs out from the tap of hot water.
3. Insert the plug to socket, then turn on the power switch. Indicators light up accordingly once the machine works.
4. Vertically pull out the bottle by two hands when the bottle is empty, then replace it with another bottle of water.

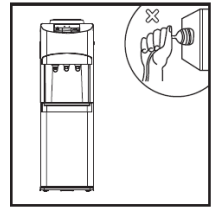


D: CAUTION

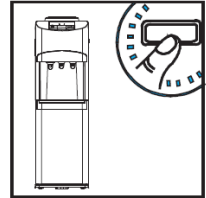
1. Keep this machine in place of dry and avoid direct sunshine. Rear of the machine should be at least 25cm far from the wall. Never put the machine on paper or foam, which may cause unstable condition, Never put anything flammable beside this machine.



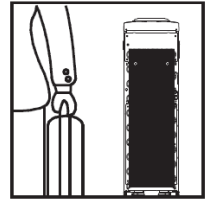
2. To avoid damage to the machine, don't plug the power cord or turn on the heating switch until water runs out from the tap of hot water.



3. In case hot (or cold) water is not needed for a long time, turn off the switch accordingly to save power.



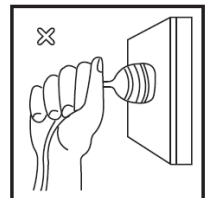
4. In case not to use this machine for a long time, turn off the switches, then pull the plug out from socket and drain the remaining water through draining outlet.



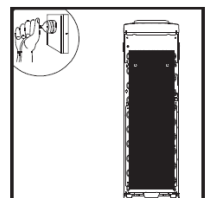
5. Never use organic liquid to clean the machine. Strictly prohibit splashing water to the unit.



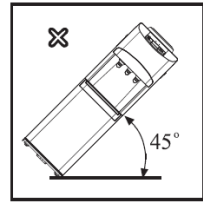
6. Never turn on(off)the machine by plugging the plug to (pulling the plug out from) the socket. Never increase the length of the power supply cord to avoid fire.



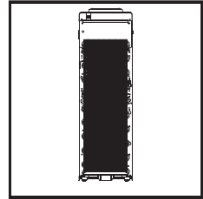
7. If the supply cord is damaged, it must be replaced by the manufacturer, its service agent or similarly qualified persons in order to avoid a hazard.



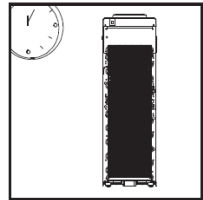
8. Never turn the machine upside down or tilt it more than 45°. (Except V802CE/V802CES model)



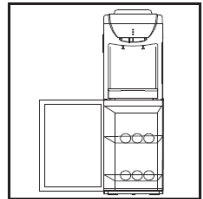
9. When the machine is under the ice point and blocked by ice, the cooling switch must be closed for 4 hours before turning it on again to continue its operation.



10. This machine should not be turned on until 3 minutes later after turning off the power switch.



11. When first time to utilize the refrigerating function, let the refrigerating function be operated for at least 2 hours before putting anything into the cabinet. No wet or hot goods are allowed to be put into the cooling cabinet. Leave suitable space between the goods to ensure the interior airflow. (For V195B model)



E : TROUBLE SHOOTING

Please check the followings before having the machine repaired.

PROBLEMS	POSSIBLE CAUSES	ELIMINATION
no hot or cold water	1. over consumption of hot or cold water in short time 2. no power supply	1. just wait a moment, then hot or cold water is available again. 2. connect plug to socket, turn on heating or cooling switch.
no water running out from taps	1. empty bottle 2. inlet of bottle supporter blocked by bottle seal	1. replace it with another one 2. clean out wasted paper & bottle seal, install bottle again.
leakage from bottle supporter	broken bottle	replace it with a new bottle
noisy operation	not placid installation	place the machine on placid & solid surface

F:CLEANING

To avoid accident, cut off the power supply before operation according to the following instruction.

1. The machine had been disinfected before departed from factory.
Cleaning the dispenser prior to installing a full bottle of water for the first time.
2. **Cleaning and draining instruction:**
 - ❶ Before cleaning, make sure the power switch in the **O(off)** position and unplug the water dispenser.
 - ❷ Vertically insert the bottle into the supporter on top of the machine.
 - ❸ Open the taps, let about 1 liter water flows into a container.
 - ❹ Removed the water bottle from the dispenser.
 - ❺ Place a large bucket beneath the drain outlet. Remove the drain cover and allow water to drain.
 - ❻ After draining, replace the drain cover and you can use the machine.
Attention: The dispenser heats water to a temperature of approximately 87°C. It can cause severe scalded. Please operation it carefully.
3. **Sanitizing**

The machine should be disinfected with the disinfectant separately bought from drugstore or marketplace according to the instruction manual of the disinfectant and then clean it with water(see **cleaning and draining instruction**).Generally this should be done every three months.
4. **To Remove Mineral Deposits:**

Mix 4 liters water with 200g citric acid crystals, inject into the machine and make sure the water can flow out of the hot water tap. Switch on the power and heat it about 10 minutes, 30 minutes later, drain off the liquor and clean it with water for two or three times. Generally this should be done every six months.

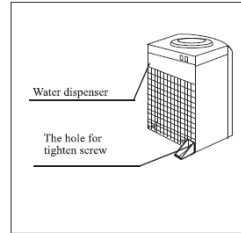
Never disassemble this machine by yourself to avoid danger from damaged machine.

G: MACHINE INSTALLATION

For D113 model:

Instructions for installation:

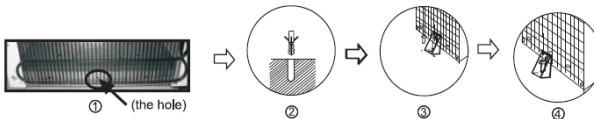
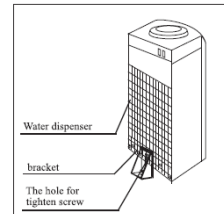
- 1-2. Loosen the screw of the right bottom angle just as the picture shown.
4. Make a hole on the floor's or the desk's surface where the water dispenser will be installed.
3. Fix the bracket on the floor by screw tightly.
5. Tighten the screw.



For V118 model:

Instructions for installation:

1. Use the screw to fix the bracket on the hole of the middle bottom of the water dispenser.
2. Make a hole on the floor's (or the desk's) surface where the water dispenser will be installed.
3. Fix the bracket on the floor by screw tightly.
4. Tighten the screw.



For V900BS / V900CS / V127S / V127 red / V230C / V802CE / V802CES / V195B models:

Instructions for installation:

1. Use the screw to fix the bracket on the hole of the middle bottom of the water dispenser.
2. Make a hole on the floor's (or the desk's) surface where the water dispenser will be installed.
3. Fix the bracket on the floor by screw tightly.
4. Tighten the screw.

